

GL 80 LED LED PROJECTOR



SPECIFICATIONS

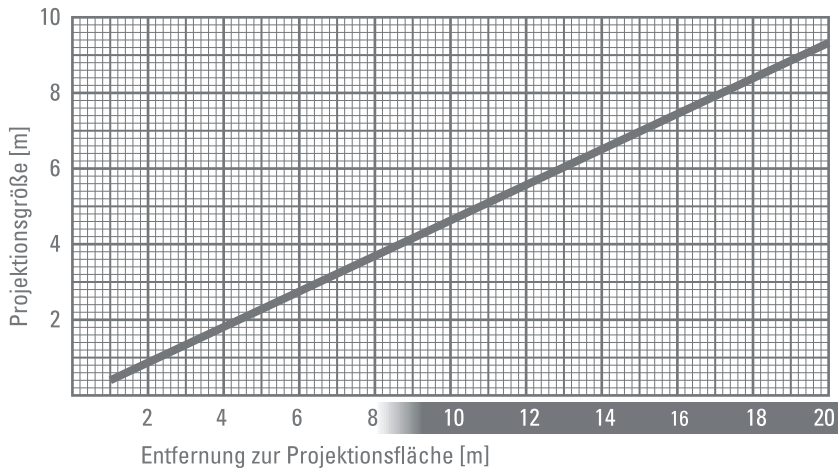
item:	GL 80 LED
body:	aluminium
available colours:	white, black, silver-grey
weight:	4.35 kg
on / off switch:	on the rear panel of the device
environmental conditions:	for dry indoor environments only
cooling:	active cooling, fan
light source:	80 W Extreme Power LED
recommended projection distance in normal room light:	8 m
recommended projection distance in darkness:	20 m
average lifetime of the LED:	30,000 hours
colour temperature:	6,300 - 6,700 °Kelvin
luminous flux of the LED:	5,750 Lumen
gobo size / image size:	Ø 50 mm / Ø 40 mm
input voltage:	220-240 V AC / 50-60 Hz
active power (power consumption):	94 W
efficiency:	0.95 cos. φ
IEC Protection Class:	Class I
Ingress Protection Rating:	IP 20
changeable lens:	yes, several focal lengths are available
lighting effects:	yes, several effect options are available
connectors for effect options:	2 x 15 V DC, on the front panel
photobiological safety:	ICE62471:2006 EN62471:2008: RG-2
item number:	20004410 (white) 20004420 (black) 20004430 (silver-grey)

COMPONENTS

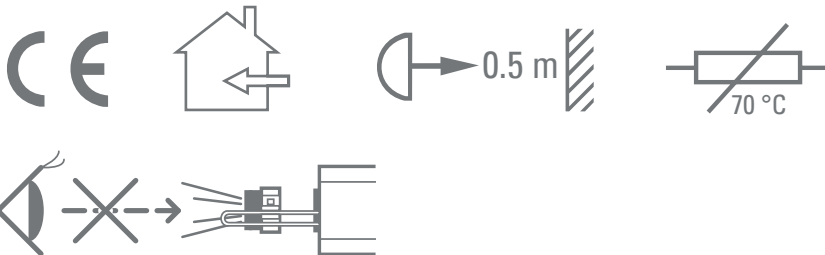
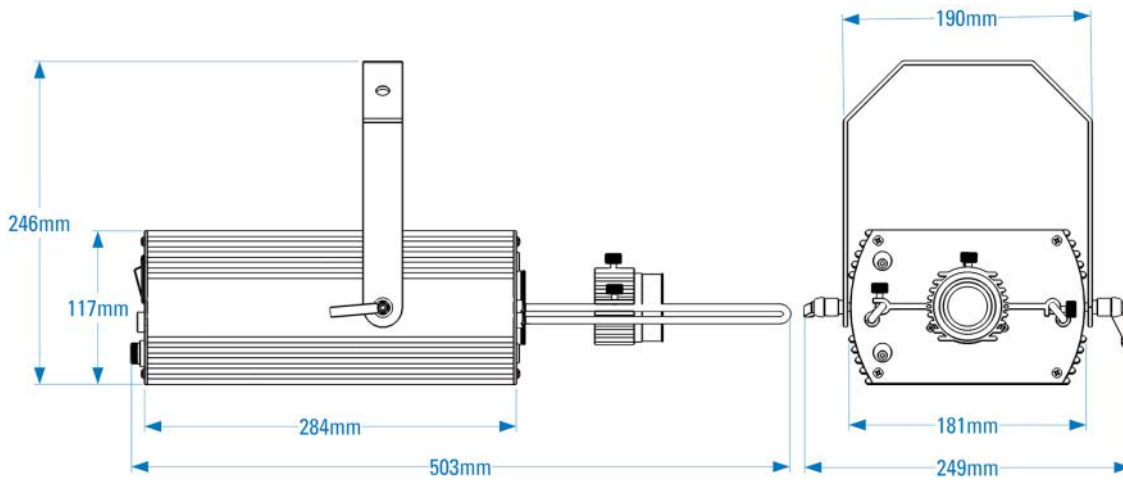
Standard series with extreme power LED, 85 mm standard lens, power cable with plug. The machine is ready to plug in and run. Required accessories: glass gobo with individually designed motif.

PROJECTION DIAMETER WITH INCREASING DISTANCE

(with Standard Lens, $f=85\text{ mm}$)



DIMENSIONS



derksen[®]
lichttechnik

Derksen Lichttechnik GmbH
Johannes-Rau-Allee 4
45889 Gelsenkirchen
Germany

phone: +49 (0) 209 / 980 70-0
fax: +49 (0) 209 / 980 70-60

info@derksen.de
www.derksen.de