



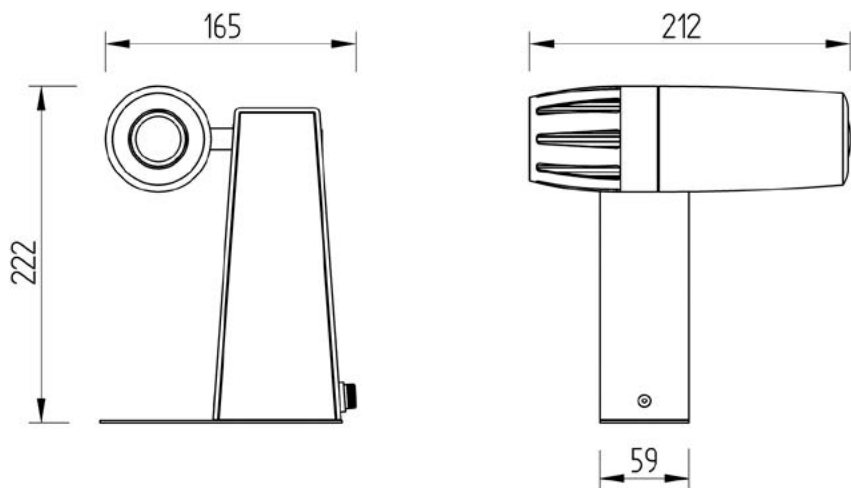
product name:..... PHOS 15  
 housing material:..... aluminium, steel  
 weight: ..... 1.9 kg | 4.19 lbs  
 dimensions (B x H x T)..... 212 x 222 x 165 mm | 8.35 x 8.74 x 6.5 inches  
 on / off switch: ..... not available  
 operating conditions:..... dry interiors  
 ambient temperature:..... -30°C - +35°C  
 cooling: ..... passive, noiseless  
 noise level: ..... 0 dBA  
 light source: ..... High Power LED  
 output power:..... 15 W  
 luminous flux of the LED:..... 1,200 lumens  
 colour temperature:..... 6,300 - 6,700 K  
 average lifetime of the LED (L70):..... 35,000 operating hours  
 recommended range in normal room lighting:..... 3.0 m  
 recommended range in darkness: ..... 6.0 m  
 gobo size / Image size: ..... Ø 30.0 mm / Ø 25.0 mm  
 input voltage: ..... 220 - 240V AC, 50/60 Hz  
 power consumption:..... 19 W  
 efficiency:..... 0.6 cos. φ  
 electrical protection class:..... I  
 IP rating of the housing..... IP 20  
 photobiological safety according to ICE62471:2006 EN62471:2008:..... RG-2  
 item number & colour:..... 20015110 (white), 20015120 (black), 20015130 (silver)

PHOS 15 is a compact LED projector with a big impact. The smallest system in our product range is suitable for dry indoor environments and can optionally be mounted on tabletops, shelves, ceilings or walls. The compact size makes it easy to install PHOS 15 without attracting attention and project a surprising outcome. Its performance will convince you, because the light of the 15 watt LED is focused by a special lens, so that a recommended distance of 2 – 4 m (6.6 – 13 ft) is reached in normal room lighting. Possible locations include bars, lounges, shop windows or rack structures. The projection motif (gobo) can be changed without tools.

## Configuration

Standard series with high power LED and 85 mm standard lens. The machine is ready to plug in and run. Required accessories: glass gobo with individually designed motif.

## Dimensions [mm]

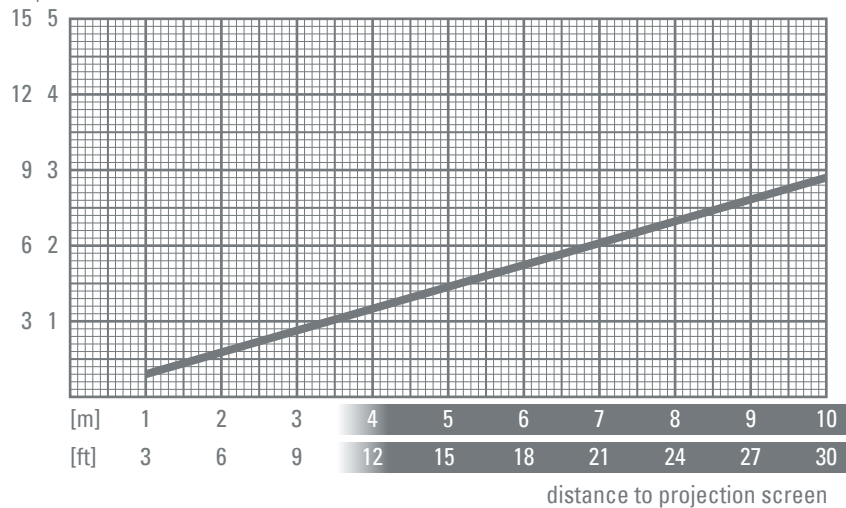


derksen®  
lichttechnik

## Projection Size

Standard Lens,  $f = 85 \text{ mm}$

[ft | m] diameter



Derksen Lichttechnik GmbH  
Sauerlandstraße 5  
45889 Gelsenkirchen  
Germany

Tel.: +49 (0)209 / 9 80 70 0  
Fax: +49 (0)209 / 9 80 70 60

info@derksen.de  
www.derksen.de