

PHOS 45 DOWNLIGHT – SPECIFICATIONS



item:	PHOS 45 downlight
body:	steel / aluminium
weight:	3.80 kg
ballast:	external ballast included
environmental conditions:	for dry indoor environments only
ambient temperature:	-30° C – + 35° C
cooling:	active cooling, fan
noise level:	14 dBA
light source:	40 W High Power LED
recommended projection distance in normal room light:	13 ft
recommended projection distance in darkness:	33 ft
average lifetime of the LED (L70):	35,000 hours
colour temperature:	6,300 - 6,700 K
luminous flux of the LED:	2,700 lumens
gobo size / image size:	Ø 50 mm / Ø 40 mm
input voltage:	220 - 240 V AC, 50 / 60 Hz
power consumption:	43 W
efficiency:	0.85 cos. φ
electrical protection:	I
ingress protection rating:	IP 20
photobiological safety according to ICE62471:2006 EN62471:2008:	RG-2
item number:	20045310 – white, 20045320 – black, 20045330 – silver

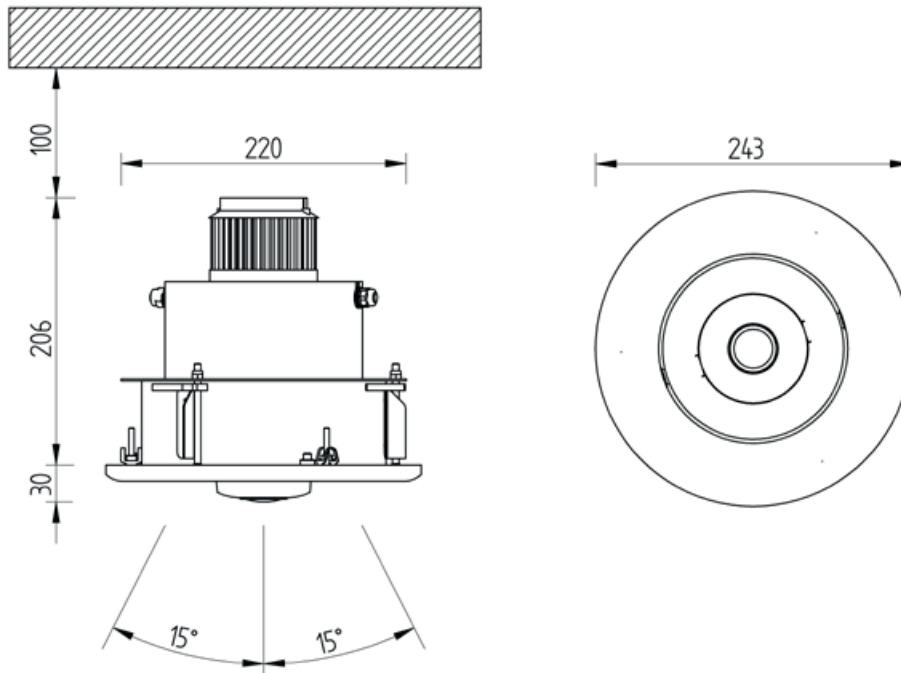
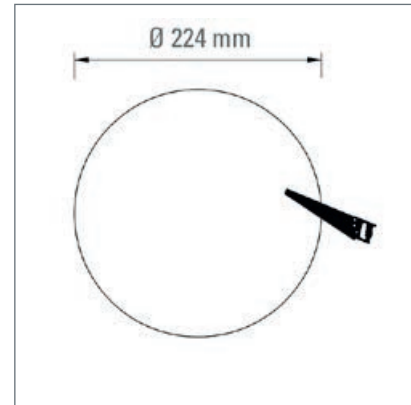
The 40 Watt High-Power LED of PHOS 45 downlight is sufficiently cooled by a noise-optimized fan and provides extra power. The device is suitable for dry indoor environments and can be unobtrusively installed in false ceilings. Despite its compact design, the projector delivers superior brightness: The recommended projection distance in normal room lighting is 13 feet, in darkness up to 33 feet. PHOS 45 downlight is recommended for environments like salesrooms, service halls, trade fairs and museums. The included electronic ballast is placed in the false ceiling. The projection motif (gobo) can be changed without tools.

Components

Standard series with high power LED and 85 mm standard lens. Required accessories: glass gobo with individually designed motif.

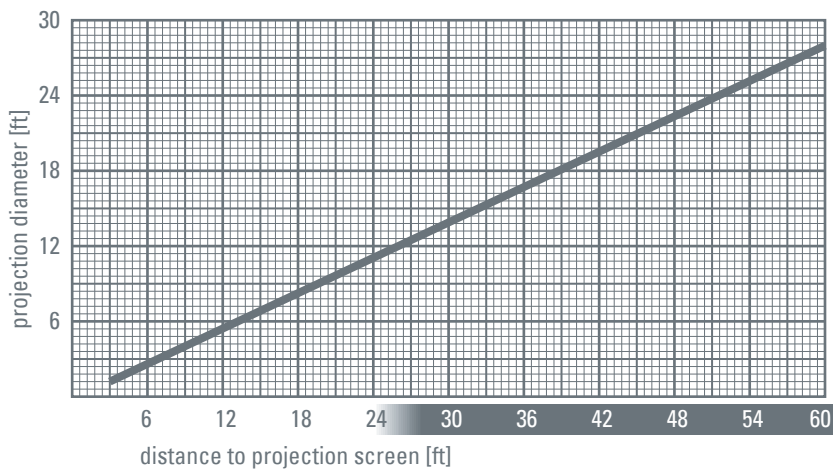


Dimensions



Projection Size

Standard Lens, $f = 85 \text{ mm}$



derksen[®]
lichttechnik

Derksen Lichttechnik GmbH
Sauerlandstraße 5
45889 Gelsenkirchen
Germany

Tel.: +49 (0)209 / 9 80 70 0
Fax: +49 (0)209 / 9 80 70 60

info@derksen.de
www.derksen.de