



PHOS 15 is a compact LED projector with a big impact. The smallest system in our product range is suitable for dry indoor environments and can optionally be mounted on tabletops, shelves, ceilings or walls. The compact size makes it easy to install PHOS 15 without attracting attention and project a surprising outcome. Its performance will convince you, because the light of the 15 watts LED is focused by a special lens. Possible locations include the point-of sale, shop windows or bars. The projection motif (gobo) can be changed without tools.

### Construction

housing: ..... aluminium, steel, powder coated  
 weight (standard equipment): ..... 1.9 kg | 4.19 lbs  
 On / Off switch: ..... not available  
 IP-rating of the housing ..... IP 20

### Operating Conditions

application area ..... dry interiors  
 ambient temperature: ..... -30°C - +35°C  
 cooling: ..... passive, noiseless, 0 dBA

### Light Source and Optics

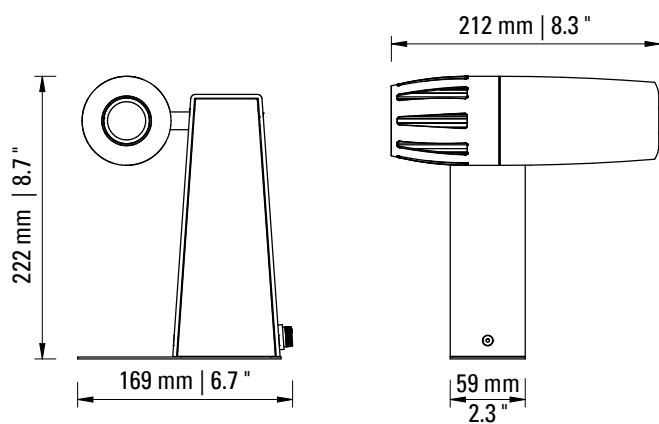
light source: ..... High Power LED, 15 W  
 luminous flux of the projector: ..... 716 lumens  
 efficiency ..... 34 lumens / watt  
 colour temperature: ..... 6,300 – 6,700 K  
 colour rendering index: ..... Ra >70  
 estimated lifetime of the LED (L70): ..... 35,000 operating hours  
 projection lens: ..... Standard Lens, f=85 mm (included)  
 gobo size / image size: ..... Ø 30.0 mm / Ø 20.0 mm  
 photobiological safety (ICE62471-5:2015, EN62471-5:2015): ..... RG-2

### Electrical Specifications

input voltage: ..... 220 - 240V AC, 50/60 Hz  
 power consumption: ..... 21 W  
 power factor: ..... 0.7 cos. φ  
 electrical protection class: ..... I  
 max. number of devices per circuit breaker B16A/C16A: ..... 50/85  
 device is dimmable: ..... no

**Item No.:** 20015110 (white), 20015120 (black), 20015130 (silver)

**Additional Accessories:** individual glass gobo according to your digital artwork



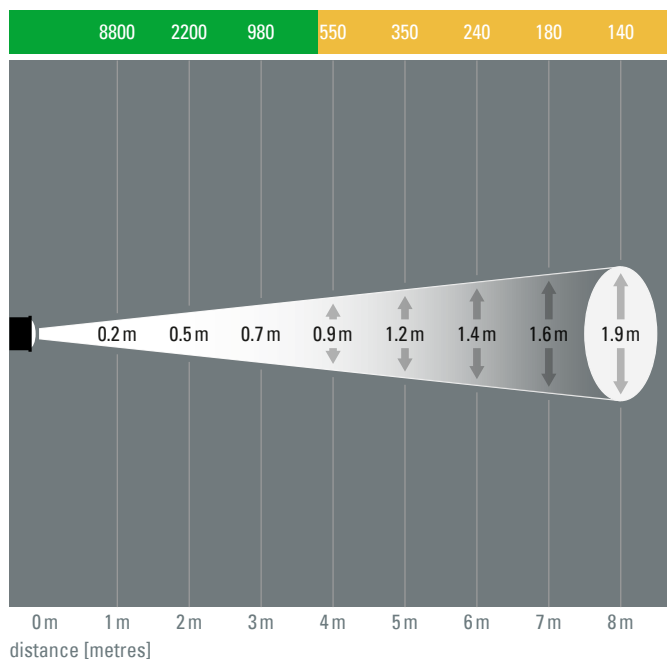
CE IP 20



# PHOS 15 indoor – Photometric Diagrams

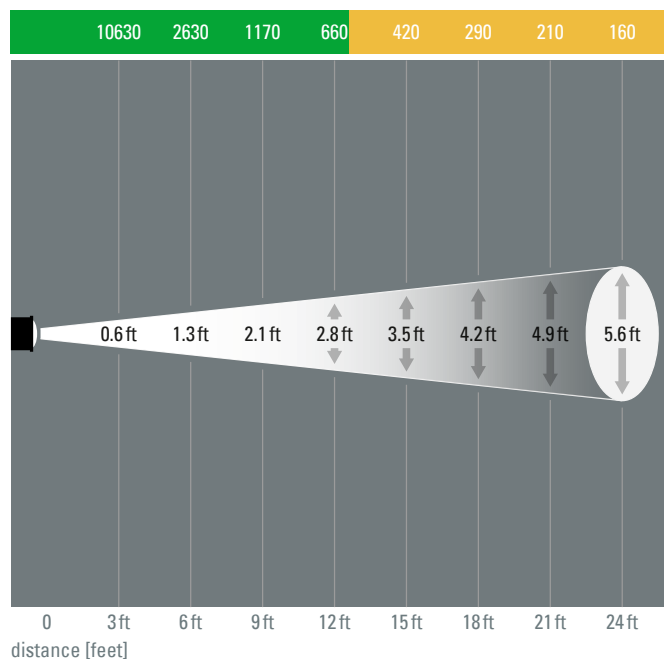
## PHOS 15, Standard Lens, f = 85 mm, 13°

illuminance [lux]



## PHOS 15, Standard Lens, f = 85 mm, 13°

illuminance [lux]



### Brightness Colour Coding:

- = with standard room lighting, suitable for coloured motifs
- = in low-light rooms, for motifs without colour
- = recommended only in darkened rooms

- The results shown are approximate values. The result may differ slightly in reality.
- The projection sizes indicate the maximum diameter that can be projected with a Ø 20 mm image.
- The projection motif is circular and fills the image area of the gobo. Other objects, e.g. rectangles or texts are fitted into the circular projection area.
- The projection is at right angles to the projection surface.

Detailed projection calculator at: [www.derksen.de](http://www.derksen.de)

derksen®  
lichttechnik

Derksen Lichttechnik GmbH  
Johannes-Rau-Allee 4  
45889 Gelsenkirchen  
Germany

Tel.: +49 209 98070-0  
info@derksen.de  
www.derksen.de