



This weatherproof outdoor projector is equipped with the latest LED technology and is passively cooled without a fan. An external ballast is supplied, which is connected to the projector via waterproof cabling. PHOS 25 pole mount is suitable for year-round outdoor use or for damp interiors. The projector is especially suitable for outdoor projections on facades or portals, messages on pavements or areas in pedestrian zones. The projection motif (gobo) can be changed without tools.

### Construction

housing: ..... aluminium, steel, powder coated  
 weight (standard equipment): ..... 3.0 kg | 6.61 lbs  
 On / Off switch: ..... not available  
 IP-rating of the housing ..... IP 65

### Operating Conditions

application area ..... outdoor locations, street lighting poles  
 ambient temperature: ..... -30°C - +35°C  
 cooling: ..... passive, noiseless, 0 dBA

### Light Source and Optics

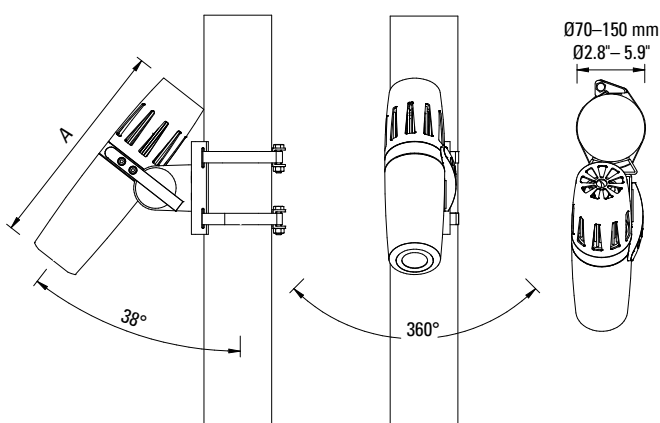
light source: ..... High Power LED, 22 W  
 luminous flux of the projector: ..... 1,574 lumens  
 efficiency: ..... 58 lumens / watt  
 colour temperature: ..... 6,300 – 6,700 K  
 colour rendering index: ..... Ra >70  
 estimated lifetime of the LED (L70): ..... 35,000 operating hours  
 projection lens: ..... Standard Lens, f=85 mm (included)  
 gobo size / image size: ..... Ø 50.0 mm / Ø 40.0 mm  
 photobiological safety (IEC62471-5:2015, EN62471-5:2015): ..... RG-2

### Electrical Specifications

input voltage: ..... 100 - 240V AC, 50/60 Hz  
 power consumption: ..... 27 W  
 power factor: ..... 0.92 cos. φ  
 electrical protection class: ..... I  
 max. number of devices per circuit breaker B16A/C16A: ..... 5/8  
 device is dimmable: ..... no

**Item No.:** 20025510 (white), 20025520 (black), 20025530 (silver)

**Additional Accessories:** individual glass gobo according to your digital artwork, Extra Wide Angle Lens, f=45 mm, Wide Angle Lens, f=63 mm, Telephoto Lens, f=135 mm



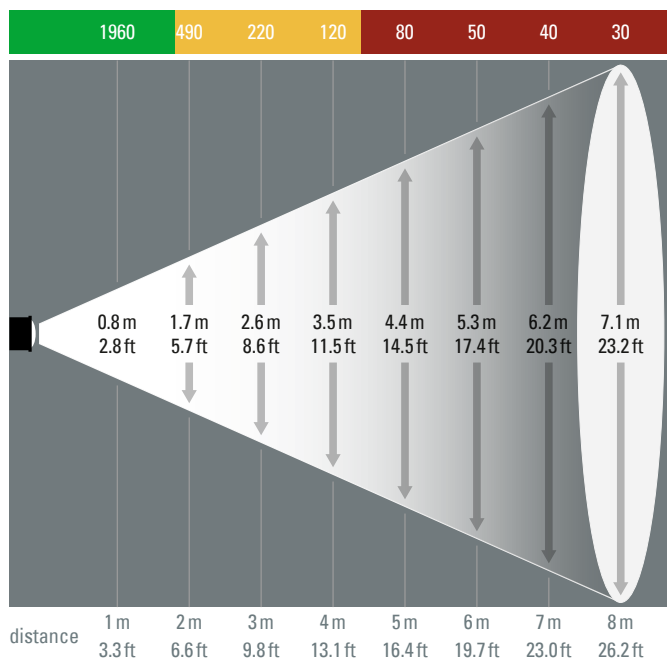
Projektion Lens	Size A
Extra Wide Angle, f=45 mm	322 mm   12.7"
Wide Angle, f=63 mm	298 mm   11.7"
Standard, f=85 mm	298 mm   11.7"
Telephoto, f=135 mm	370 mm   14.6"



# PHOS 25 pole mount – Photometric Diagrams

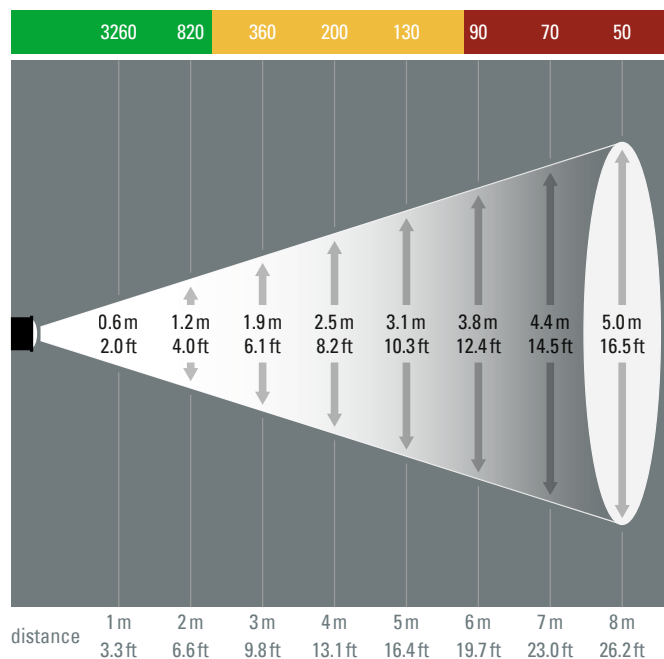
## PHOS 25, Extra Wide Angle Lens, f = 45 mm, 48°

illuminance [lux]



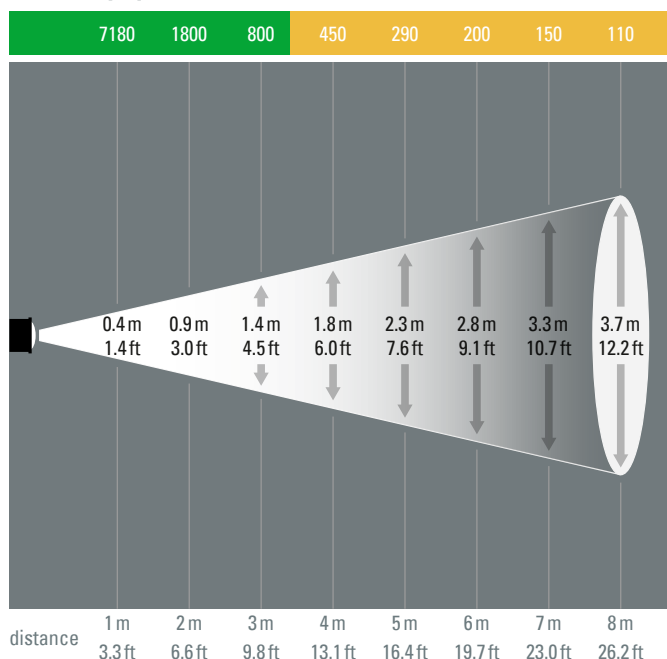
## PHOS 25, Wide Angle Lens, f = 63 mm, 35°

illuminance [lux]



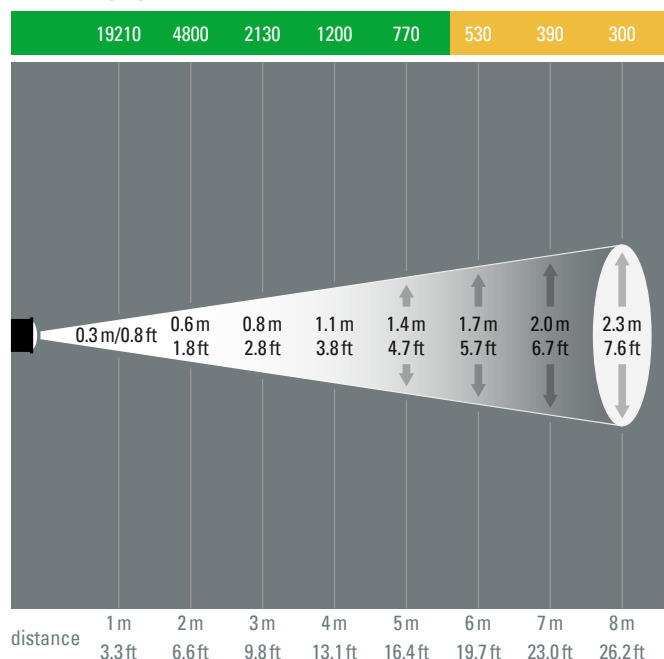
## PHOS 25, Standard Lens, f = 85 mm, 26°

illuminance [lux]



## PHOS 25, Telephoto Lens, f = 135 mm, 17°

illuminance [lux]



### Brightness Colour Coding:

- = with standard room lighting, suitable for coloured motifs
- = in low-light rooms, for motifs without colour
- = recommended only in darkened rooms

- The results shown are approximate values. The result may differ slightly in reality.
- The projection sizes indicate the maximum diameter that can be projected with a Ø 40 mm image.
- The projection motif is circular and fills the image area of the gobo. Other objects, e.g. rectangles or texts are fitted into the circular projection area.
- The projection is at right angles to the projection surface.

Detailed projection calculator at: [www.derksen.de](http://www.derksen.de)

derksen®  
lichttechnik

Derksen Lichttechnik GmbH  
Johannes-Rau-Allee 4  
45889 Gelsenkirchen  
Germany

Tel.: +49 209 98070-0  
info@derksen.de  
www.derksen.de