



The 40 Watt High-Power LED of PHOS 45s pole mount provides extra power. With its special holder the projector can be attached to poles or tubes and is suitable for year-round outdoor use or for damp interiors. The ballast is already integrated in the housing. The projector is connected via a watertight connection tube. PHOS 45s pole mount is especially suitable for outdoor projections on facades or portals, messages on pavements or areas in pedestrian zones – up to a diameter of about 4 m (13 feet). The projection motif (gobo) can be changed without tools.

### Construction

housing: ..... aluminium, steel, powder coated  
 weight (standard equipment): ..... 4.0 kg | 8.82 lbs  
 On / Off switch: ..... not available  
 IP-rating of the housing ..... IP 64

### Operating Conditions

application area ..... outdoor locations, street lighting poles  
 ambient temperature: ..... -30°C - +35°C  
 cooling: ..... active, with a fan, 25 dBA

### Light Source and Optics

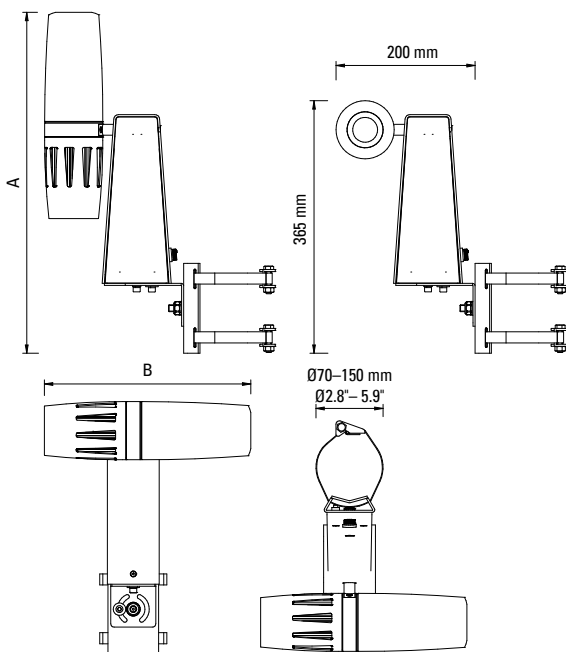
light source: ..... High Power LED, 40 W  
 luminous flux of the projector: ..... 2,388 lumens  
 efficiency ..... 47 lumens / watt  
 colour temperature: ..... 6,300 – 6,700 K  
 colour rendering index: ..... Ra >70  
 estimated lifetime of the LED (L70): ..... 35,000 operating hours  
 projection lens: ..... Standard Lens, f=85 mm (included)  
 gobo size / image size: ..... Ø 50.0 mm / Ø 40.0 mm  
 photobiological safety (IEC62471-5:2015, EN62471-5:2015): ..... RG-2

### Electrical Specifications

input voltage: ..... 100 - 240V AC, 50/60 Hz  
 power consumption: ..... 51 W  
 power factor: ..... 0.5 cos. φ  
 electrical protection class: ..... I  
 max. number of devices per circuit breaker B16A/C16A: ..... 2/4  
 device is dimmable: ..... no

**Item No.:** 20045610 (white), 20045620 (black), 20045630 (silver)

**Additional Accessories:** individual glass gobo according to your digital artwork, Extra Wide Angle Lens, f=45 mm, Wide Angle Lens, f=63 mm, Telephoto Lens, f=135 mm



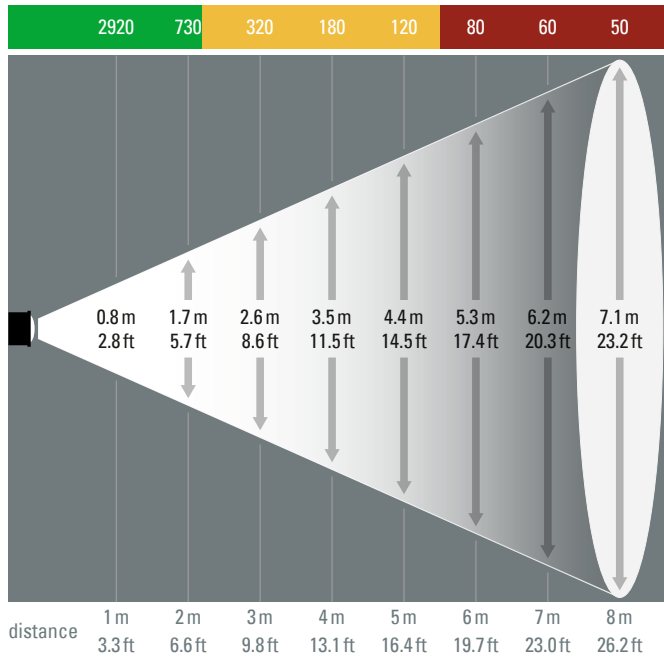
Projektion Lens	Size A	Size B
Extra Wide Angle, f=45 mm	516 mm   20.3"	322 mm   12.7"
Wide Angle, f=63 mm	493 mm   19.4"	298 mm   11.7"
Standard, f=85 mm	493 mm   19.4"	298 mm   11.7"
Telephoto, f=135 mm	564 mm   22.2"	370 mm   14.6"



# PHOS 45s pole mount – Photometric Diagrams

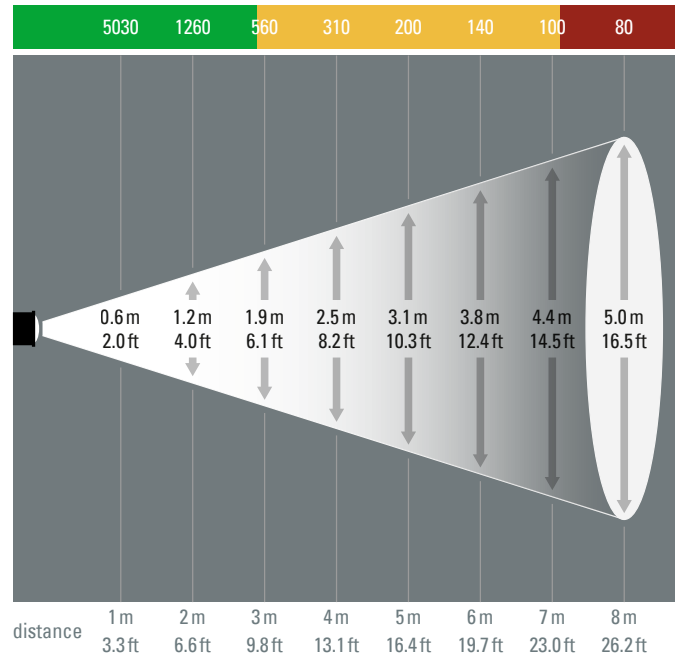
## PHOS 45, Extra Wide Angle Lens, f = 45 mm, 48°

illuminance [lux]



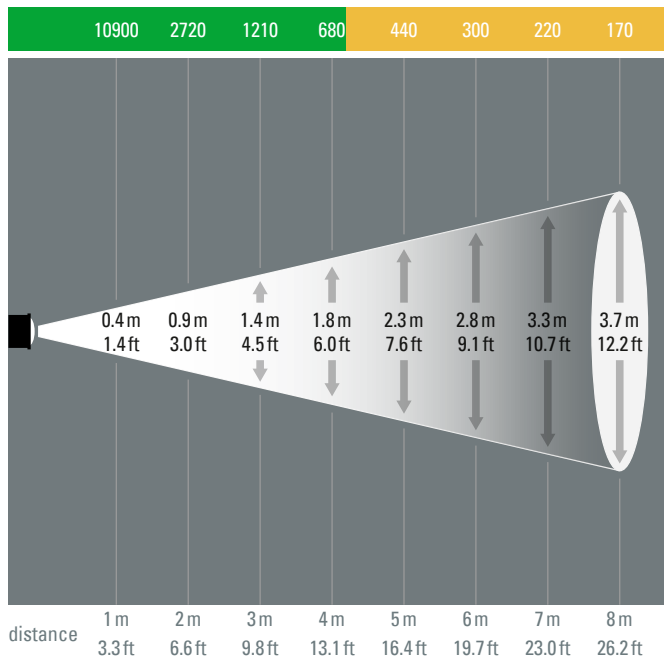
## PHOS 45, Wide Angle Lens, f = 63 mm, 35°

illuminance [lux]



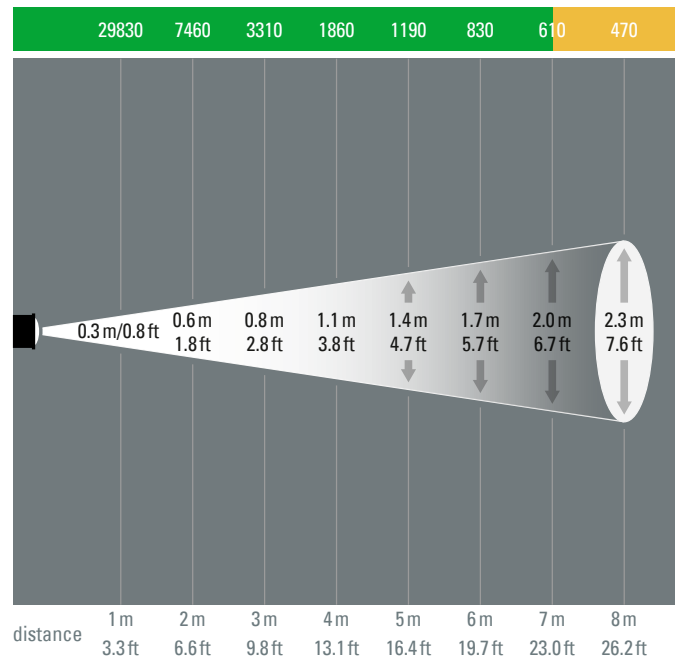
## PHOS 45, Standard Lens, f = 85 mm, 26°

illuminance [lux]



## PHOS 45, Telephoto Lens, f = 135 mm, 17°

illuminance [lux]



### Brightness Colour Coding:

- = with standard room lighting, suitable for coloured motifs
- = in low-light rooms, for motifs without colour
- = recommended only in darkened rooms

- The results shown are approximate values. The result may differ slightly in reality.
- The projection sizes indicate the maximum diameter that can be projected with a Ø 40 mm image.
- The projection motif is circular and fills the image area of the gobo. Other objects, e.g. rectangles or texts are fitted into the circular projection area.
- The projection is at right angles to the projection surface.

Detailed projection calculator at: [www.derksen.de](http://www.derksen.de)

derksen®  
lichttechnik

Derksen Lichttechnik GmbH  
Johannes-Rau-Allee 4  
45889 Gelsenkirchen  
Germany

Tel.: +49 209 98070-0  
info@derksen.de  
www.derksen.de