



PHOS move is characterized by its versatility. Thanks to its easily changeable effect options, flying or circling images can be projected onto any appropriate surface. All effect options are motorized and move projected images on different speed levels and in both directions. By a 3-button controller that is integrated in the base of the projector, all parameters can easily be set. The projection motif (gobo) can be changed without tools. Due to Derksen's quick installation system, the projected image can be rotated and focused easily in a single operation.

Construction

housing: aluminium, steel, powder coated
 weight (standard equipment): 3.8 kg | 8.38 lbs
 On / Off switch: at the back of the unit
 IP-rating of the housing IP 20

Operating Conditions

application area dry interiors
 ambient temperature: -30°C - +35°C
 cooling: active, with a fan, 29 dBA

Light Source and Optics

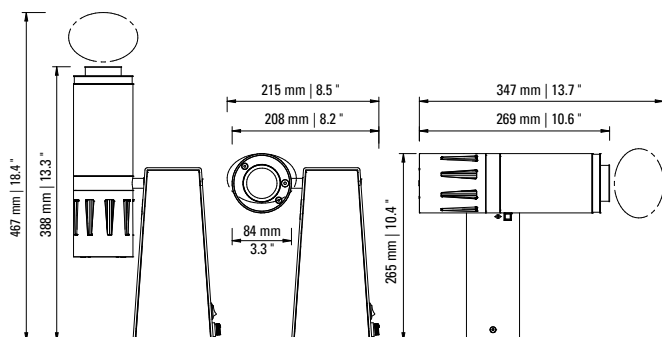
light source: High Power LED, 80 W
 luminous flux of the projector: 4,729 lumens
 efficiency 56 lumens / watt
 colour temperature: 6,300 – 6,700 K
 colour rendering index: Ra >70
 estimated lifetime of the LED (L70): 35,000 operating hours
 projection lens: Standard Lens, f=85 mm (included)
 gobo size / image size: Ø 50.0 mm / Ø 40.0 mm
 photobiological safety (ICE62471-5:2015, EN62471-5:2015): RG-2

Electrical Specifications

input voltage: 220 - 240V AC, 50/60 Hz
 power consumption: 84 W
 power factor: 0.95 cos. φ
 electrical protection class: I
 max. number of devices per circuit breaker B16A/C16A: 25/42
 device is dimmable: no

Item No.: 20085910 (white), 20085920 (black), 20085930 (silver)

Additional Accessories: glass gobo according to your digital artwork, Circular Motion Mirror, 2-Facet Prism, 4-Facet Prism



PHOS 85 move – Effects Options

Module with motor drive for moving pictures.

Currently three different effect options are available for PHOS move – more coming soon. The options are installed on the projector head and can freely be rotated to aim the projected image at any appropriate surface, e. g. floor, wall or ceiling. The effect modules are connected to the 12 V socket of PHOS move. Speed and direction of the movement can be set via the control buttons on the base of the projector.



Circular Motion Mirror

The projected image moves on a circular path. Speed, direction and diameter can be adjusted. The projection can be aimed at any surface, e. g. floor, wall or ceiling, by rotating the effect option on top of the projector. The Circular Motion Mirror only works with the PHOS 45 move or PHOS 85 move projector, which must be purchased separately.

Angle of rotation: 360°
Connection: 3.5 mm jack plug, 12 V
Weight: 118 g

Item No.: 01004310 (white), 01004320 (black), 01004330 (silver)



2-Facet Prism

The 2-Facet Prism displays two additional images that separate horizontally and then merge again into one. Direction and speed are adjustable. The projection can be aimed at any surface, e. g. floor, wall or ceiling, by rotating the effect option on top of the projector. The 2-Facet Prism only works with the PHOS 45 move or PHOS 85 move projector, which must be purchased separately.

Angle of rotation: 360°
Connection: 3.5 mm jack plug, 12 V
Weight: 113 g

Item No.: 01004410 (white), 01004420 (black), 01004430 (silver)



4-Facet Prism

The 4-Facet Prism displays four additional images that separate horizontally and then merge again into one. Direction and speed are adjustable. The projection can be aimed at any surface, e. g. floor, wall or ceiling, by rotating the effect option on top of the projector. The 4-Facet Prism only works with the PHOS 45 move or PHOS 85 move projector, which must be purchased separately.

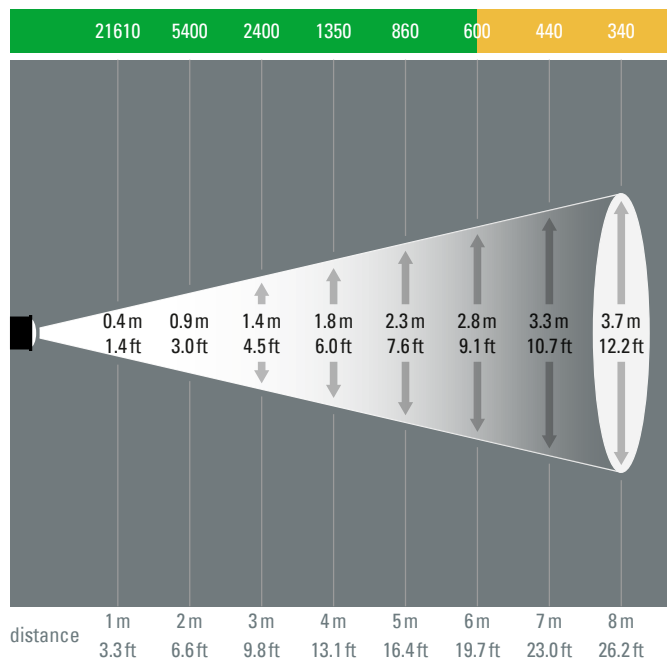
Angle of rotation: 360°
Connection: 3.5 mm jack plug, 12 V
Weight: 153 g

Item No.: 01004510 (white), 01004520 (black), 01004530 (silver)

PHOS 85 move – Photometric Diagrams

PHOS 85, Standard Lens, f = 85 mm, 26°

illuminance [lux]



Brightness Colour Coding:

- = with standard room lighting, suitable for coloured motifs
- = in low-light rooms, for motifs without colour
- = recommended only in darkened rooms

- The results shown are approximate values. The result may differ slightly in reality.
- The projection sizes indicate the maximum diameter that can be projected with a Ø 40 mm image.
- The projection motif is circular and fills the image area of the gobo. Other objects, e.g. rectangles or texts are fitted into the circular projection area.
- The projection is at right angles to the projection surface.

Detailed projection calculator at: www.derksen.de

derksen®
lichttechnik

Derksen Lichttechnik GmbH
Johannes-Rau-Allee 4
45889 Gelsenkirchen
Germany

Tel.: +49 209 98070-0
info@derksen.de
www.derksen.de